

Features

- Universal input 90-264V AC
- Direct UK Fixed Plugtop Adapters
- Approved to UKCA, CE, RoHS
- EN 62368-1 Safety Approved
- Meets Efficiency Level VI
- Single Output 12V DC
- OVP, OCP, SCP



Image for Illustration Purpose
Models may vary

Ideal Power's 14GJ15WD-xy-BW 12W AC/DC External Adapter UK Plugtop Power Supply (PSU) Series are certified to UKCA, CE, RoHS & EN 62368-1 Standards and comply with (EU) 2019/1782, Level VI Efficiency Regulations. These are primarily used in ITE, Audio & Video Industries and customised solutions are available upon request.

Models

Model Number	Output Voltage (V DC)	Output Current (A)	Output Power (W)	Efficiency (%)
14GJ15WD-1200100BW-2.5	12	1	12	82.96

Input Data

	Min	Typical	Max	Units	Notes
Voltage	90	--	264	V AC	100-240VAC +/- 10%
Frequency	50	--	60	Hz	50-60Hz +/- 3Hz
Rated Current	--	--	0.5	A	
Power consumption			0.1	W	Input voltage 115V and 230V
Leakage Current	--	--	0.25	mA	
Primary current protection	An adequate internal fuse on the AC input line is provide				
Configuration	II Conductor				

Output Data

	Min	Typical	Max	Units	Notes
Minimum Load Current	0.01	--	--	A	
Ripple & Noise	--	--	200	mVp-p	
Line Regulation	--	--	--	%	The line regulation is less than $\pm 5\%$ while measuring at rated load and $\pm 10\%$ of input voltage changing.
Load Regulation	--	5	--	%	
Turn on delay time	--	--	3	S	At 230Vac input and output Max load
Rise time	--	--	100	mS	At 115Vac input and output Max load
Hold up time	5	--	--	S	At 115Vac input and output Max load

Protection

	Min	Typical	Max	Units	Notes
Over Current Protection	1.1	--	2.0	A	Will recover if fault condition is removed
Short Circuit Protection					Will recover if fault condition is removed
Over Voltage Protection					Will recover if fault condition is removed

Environmental Data

	Min	Typical	Max	Units	Notes
Operating Temperature	0	--	+40	°C	
Storage Temperature	-20	--	+80	°C	
Operating Humidity	10	--	90	%	
Operating Humidity	10	--	90	%	

Product Information

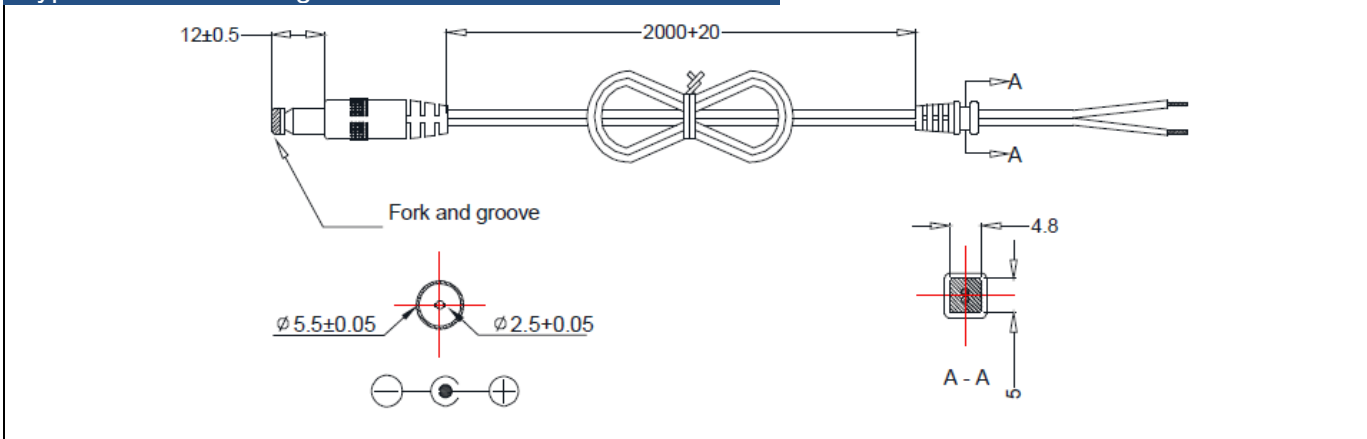
	Safety Standards
Dimensions	58.4 x 48.8 x 56.2 mm
Cable	UL 2468, 24AWG, 2000mm
Output Connector	2.5 x 5.5 x 12 mm

EMC Specifications

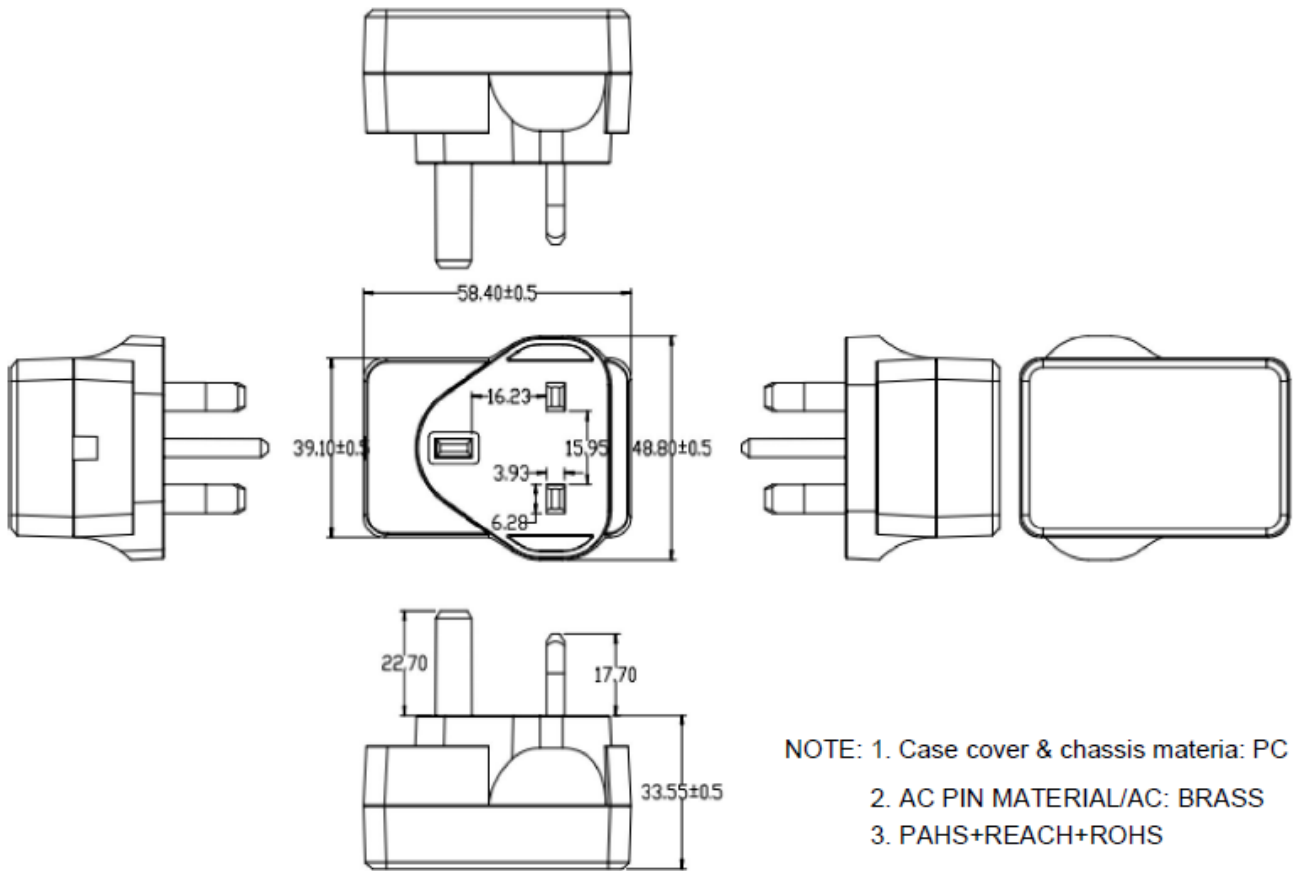
	Test Level
EMI	EN 55032 / FCC Part 15 Class B - Radiated and Conducted Emission EN55014, EN55015, Class B - Radiated and Conducted Emission GB9254, GB17625.1
ESD	IEC 61000-4-2 Air discharge +/-8KV, Contact discharge +/-4KV Pass B
RFI	IEC 61000-4-3 80-1000MHz, 3 V/m with 80% amplitude modulation of 1 kHz Pass A
EFT	IEC 61000-4-4 AC-Input Signal line, 0.5KV / Power Line, 1KV Pass B
Surge Voltage	IEC 61000-4-5 Differential mode +/-1KV. Common mode +/-2KV Pass A

Safety Approvals

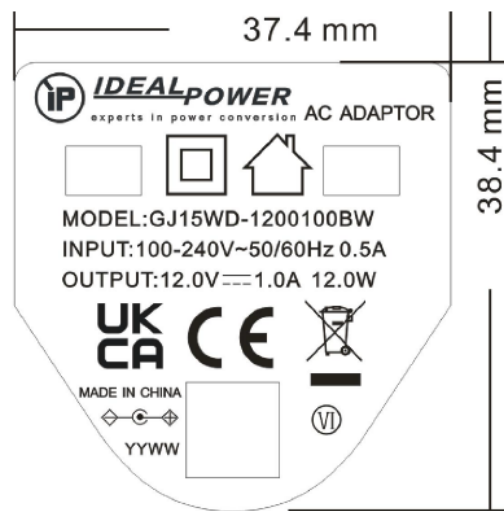
	Safety Standards
Certifications	UKCA, CE, RoHS
Approvals	EN 62368-1

Typical Cable Drawing


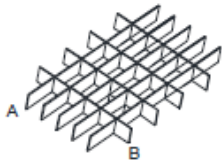
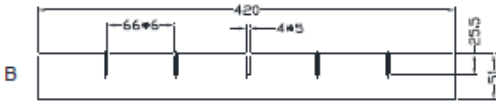
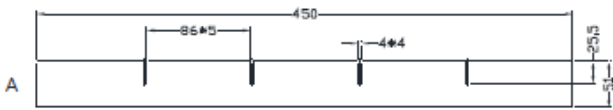
Mechanical Drawing



Typical Label Drawing



Packaging



Packaging:

Corrugated board:A:L450*51mm,B:420*51mm
Outside carton internal size:L460*W430*H225mm

Slab:L450*W420*2mmT

PE bag:L140*W120*0.03mmT

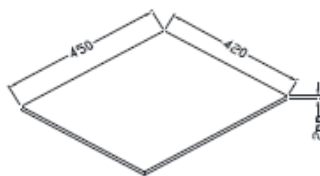
Quantity:120PCS/Carton

(A total of 4 layout,30Pcs/layer)

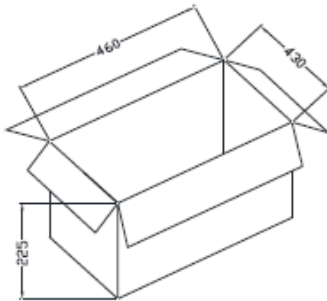
REMARK:

The sample package for temporary packaging big goods packing as shown above packing if customer don't specify packing type.

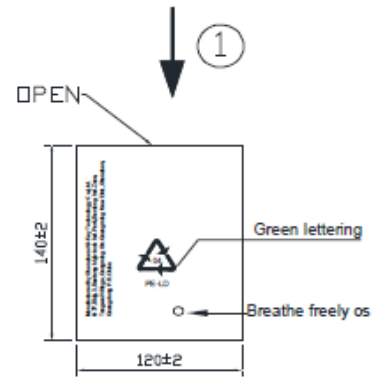
Corrugated board



Slab



Outside carton



PE bag

